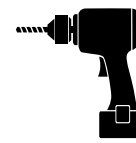


Easy Open Gate Latch Installation



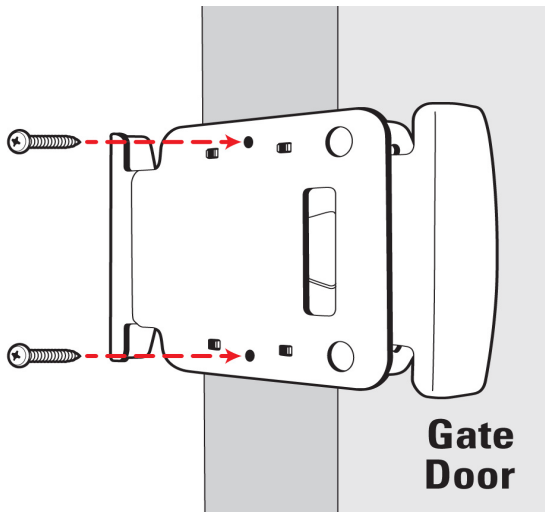
Position latch on gate with the 'pull side' of the latch on the same side as the hinges

Tools Required



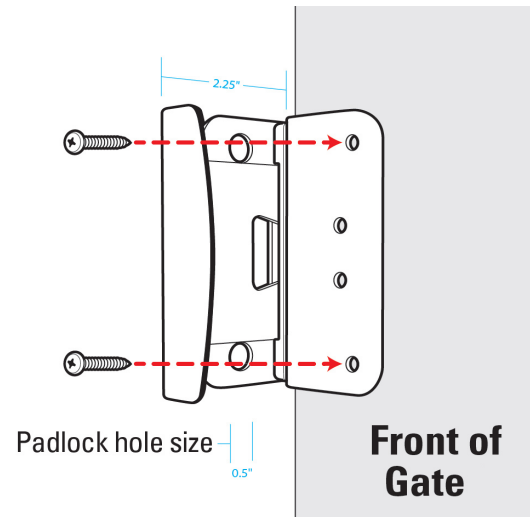
Phillips Screwdriver

Recommend 1/8" pilot holes for all screws



Gate Door

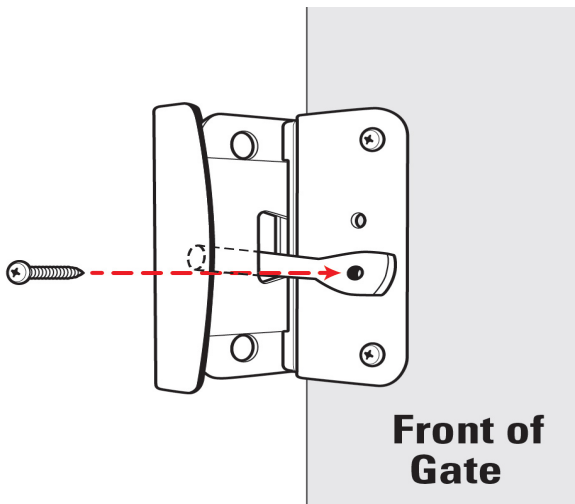
1. Attach latch to side of gate with two screws



Padlock hole size 0.5"

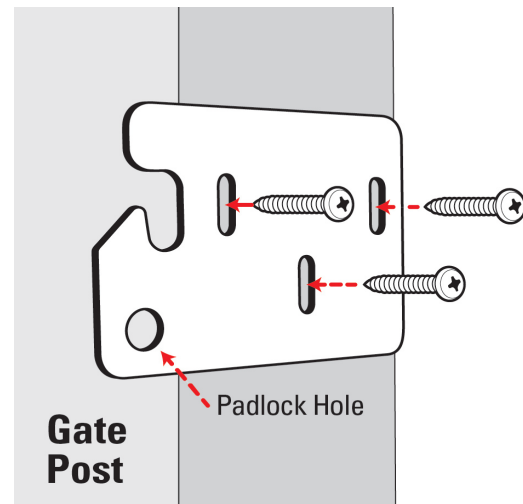
Front of Gate

2. Secure latch to front of gate with two screws



Front of Gate

3. Mount strike bar to front of latch using the lower hole. Use screw with shoulder.



Gate Post

Padlock Hole

4. Place strike plate on gate post and align padlock holes with latch. Install three screws. Slots allow vertical adjustment.